

Engineered for value.
Designed for life.



PERFORMANCE WITH STYLE

MicroFridge® 2-plug combination appliance — without the Safe Plug® power management system — is perfect for those applications where there is ample electrical capability.



Premium space saver perfect for applications where space is limited.

ENERGY STAR rated refrigerator uses less energy, saves money and helps protect the environment.

Field reversible door for flexibility in any installation.

Full-width wire shelves for easy cleaning.

Mounting brackets provide secure attachment of microwave to refrigerator.

Detachable microwave for custom installations.

Reduce cooking time by 10% with efficient Action Wave energy distribution system.

Unsurpassed 7-year warranty underscores our quality product.

Toll-free, quick-response customer service.

Model MHK-2.7 Combination Appliance Specifications

Refrigerator

2.7 cu. ft. model

Dimensions:

26 3/8"H x 19 3/4"W x 19 3/4"D

Microwave oven

.7 cu. ft., 700-watt microwave oven

Dimensions:

10 5/8"H x 18 1/8"W x 12 13/16"D

Combined unit dimensions

37"H x 19 3/4"W x 19 3/4"D

Weights

Refrigerator61 lbs.

Shipping weight71 lbs.

Microwave oven26 lbs.

Shipping weight29 lbs.

Model MHR-2.7 for refrigerator only



Model MHK-2.7

REFRIGERATOR SPECIFICATIONS & FEATURES

Annual energy consumption . . . 260 kWh based on standard DOE test

ENERGY STAR qualified models use at least 10% less energy than required by current federal standards

Electrical requirements

Power. 115V/60 Hz
 Start-up amps 3.2
 Normal operating amps 0.8
 Compressor watts 60

Exterior dimensions

Height 26 3/8"
 Width. 19 3/4"
 Depth. 19 3/4"
 Weight. 61 lbs.
 Shipping weight. 71 lbs.

Interior dimensions

Total volume 2.7 cu. ft.

Refrigerator features

- 2 full-width adjustable wire shelves
- 2 full-width door shelves
- Temperature control
- Door hugger
- Bottom retainer bar
- Auto defrost

Cabinet features

- Rounded, cambered door
- Flat back design
- Reversible door hinge
- Leveling legs
- Available in black

MICROWAVE OVEN SPECIFICATIONS & FEATURES

Electrical requirements

Power. 120V/60Hz
 Power output, defrost 350 watts
 Power output, cook 700 watts
 Electrical draw. 8.1 amps

Exterior dimensions

Height 10 5/8"
 Width. 18 1/8"
 Depth. 12 13/16"
 Weight. 26 lbs.
 Shipping weight. 29 lbs.

Interior dimensions

Oven capacity 0.7 cu. ft.


Microwave features


- Easy-grip pull door
- Dial controls
- Removable 10 11/16" glass carousel
- Timer/auto shut-off
- Signal bell
- Timer defrost
- Under counter mounting brackets available
- 5 ft. cord
- Available in black

ELECTRICAL REQUIREMENTS FOR COMBINATION UNIT

120 Volt, 2-Wire, 60 Hz, Single Phase (1PH), 1.2KW, 15 amp electrical supply

Specifications are subject to change. Please contact your sales representative for further details.

 MicroFridge® complies with all UL requirements and EPA regulations to manufacture environmentally friendly refrigerators.

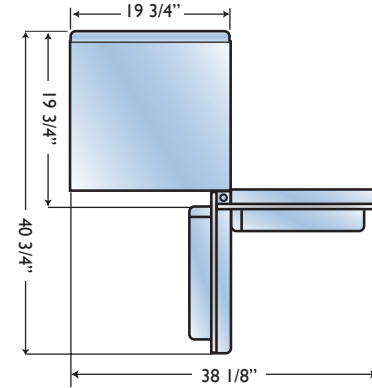
 ENERGY STAR refrigerators use half the energy of a 10-year old model. Designed to meet strict energy-efficiency criteria, this ENERGY STAR rated refrigerator helps protect the environment.

PRODUCT SHEMATICS

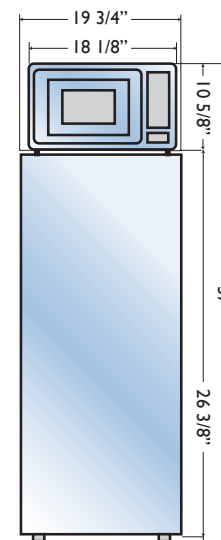
Minimum clearances

1" on each side, 2" in back, 1" on top
 Single-door 2.7 cu. ft. refrigerator and .7 cu. ft., 700-watt microwave oven

Top view with door swing*



Front view, 1-door unit*



Front view, 1-door unit*




a Division of Intirion Corporation

**10 Walpole Park South
 Walpole, MA 02081**

PH: **800-637-7567** or **508 660-9200**

FX: **800-231-2182** or **508-660-9242**

www.microfridge.com

 **INTIRION.** "MicroFridge" and the MicroFridge logo are registered trademarks of Intirion Corporation, a subsidiary of Mac-Gray Corporation. © Mac-Gray Corporation 2009.